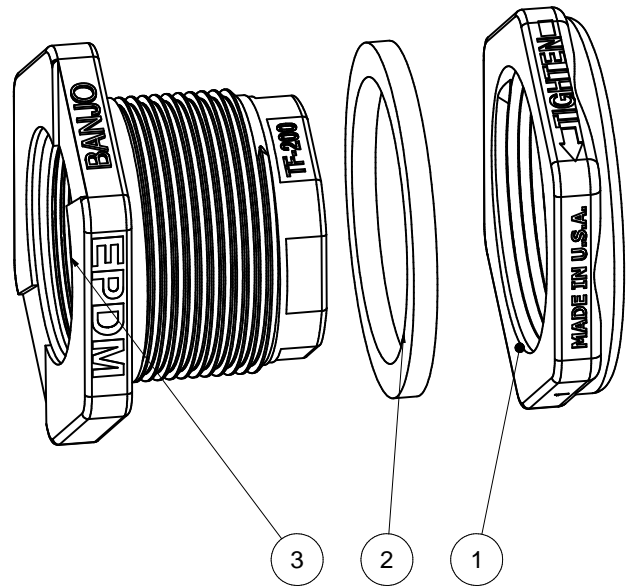
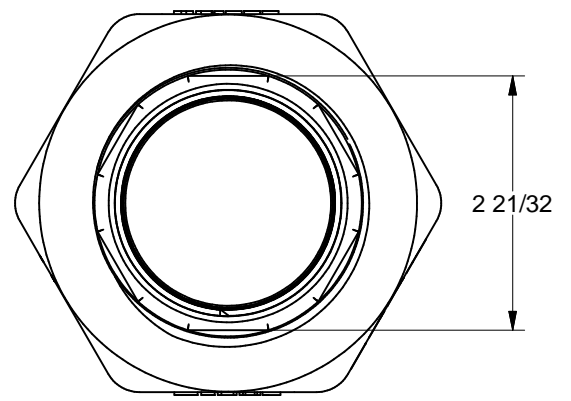
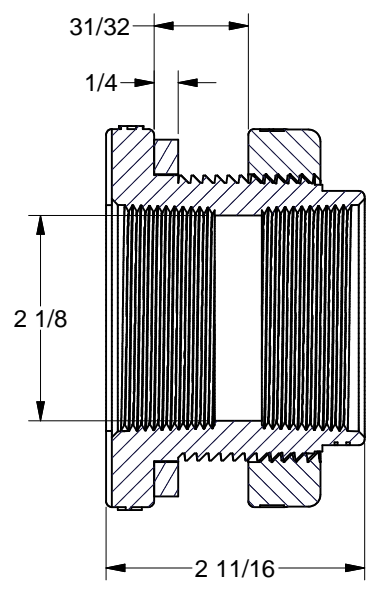
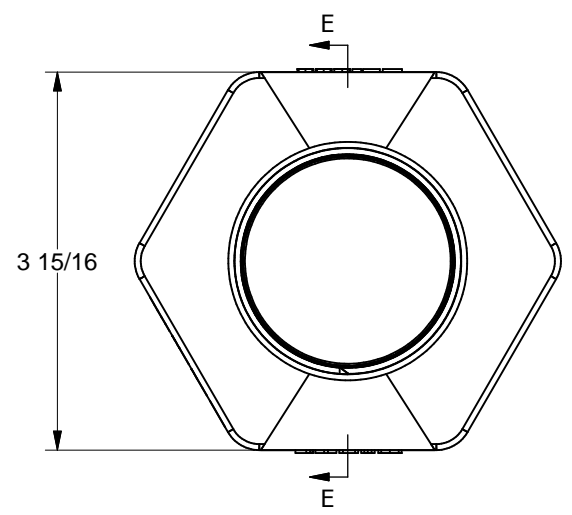


| Parts List |     |             |                        |
|------------|-----|-------------|------------------------|
| ITEM       | QTY | PART NUMBER | DESCRIPTION            |
| 1          | 1   | TF153       | 1 1/2" Tank Flange Nut |
| 2          | 1   | 300G        | 3" Coupling Gasket     |
| 3          | 1   | TF201       | 2" TANK FLANGE BODY    |



THIS DRAWING AND ALL INFORMATION CONTAINED THEREON ARE THE EXCLUSIVE PROPERTY OF BANJO CORPORATION.

UNLESS SPECIFICALLY NOTED, THIS DRAWING AND ITEMS SHOWN ON THIS DRAWING ARE SUBJECT TO CHANGE AT ANY TIME.

**BANJO CORPORATION**

BANJO CORPORATION  
 150 BANJO DRIVE, CRAWFORDSVILLE, IN 47933  
 WEB SITE: WWW.BANJOCORP.COM  
 E-MAIL: BANJOSALES@IDEXCORP.COM

DESCRIPTION  
 2" NPT TANK FITTING

PART NUMBER  
 TF200